

# Gigabit Video Interface - CXB1458R -

## Key benefits

- 1 chip receiver for serial transmission of 24-bit colour EGA / VGA / WVGA / SVGA picture
- On-chip cable equalizer circuit for cable loss compensation
- On-chip PLL circuit for data and clock recovery
- CMOS logic interface
- Low power consumption

## Applications

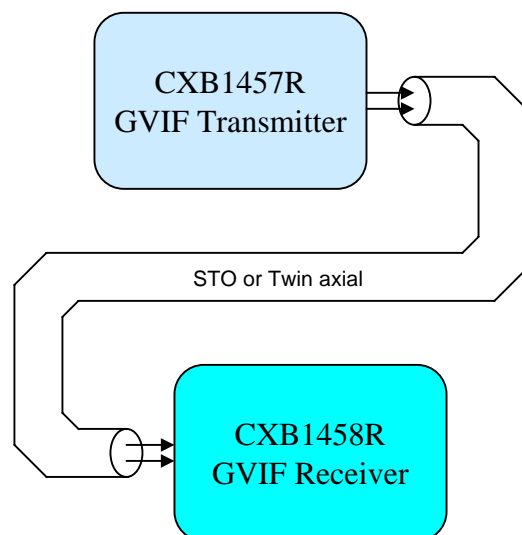
- Car navigation system
- In-car entertainment system

## Description

The CXB1458R is a receiver chip for data transmission based on GVIF (Gigabit Video Interface) technology. This IC supports 24-bit colour data transmission with EGA / VGA / WVGA / SVGA resolution.

The CXB1458R GVIF receiver is applied to the digital RGB signal transmitter for car navigation system etc. with the CXB1457R GVIF transmitter.

## Block Diagram



**SONY**